

Issue Date: 11-17-2014
Revision Date: 08-10-2018
Renewal Date: 01-22-2019

DIVISION: 06 00 00 – WOOD, PLASTICS AND COMPOSITES
Section: 06 53 00 – Plastic Decking

REPORT HOLDER:
Trex Company, Inc.
160 Exeter Drive
Winchester, Virginia 22603
540-542-6850
www.trex.com

REPORT SUBJECT:
Style Selections Decking

1.0 SCOPE OF EVALUATION

1.1 This Research Report addresses compliance with the following Codes:

- 2015 and 2012 *International Building Code*® (IBC)
- 2015 and 2012 *International Residential Code*® (IRC)
- 2017 *Florida Building Code* (see Section 9) *Excluding High Velocity Hurricane Zones*

1.2 *Style Selections Decking* has been evaluated for the following properties (see Table 1):

- Structural Performance
- Durability
- Surface Burning
- Decay Resistance
- Termite Resistance

1.3 *Style Selections Decking* has been evaluated for the following uses (see Table 1):

- *Style Selections* deck boards are intended for use as a walking surface on exterior decks, balconies, porches, and walkways, including stairs as further defined herein.
- The deck boards identified in this report may be used in one- and Two-Family Dwellings regulated by the IRC and

other construction types regulated by the IBC in accordance with IBC Section 1406.2 as follows:

Construction Type IIB, IIIB & VB per IBC §1406.3 and Table 601 (No fire resistance rating required for floors)

Construction Type IIIA, IV & VA per IBC §1406.3, Exception 3 (Sprinkler protection required)

2.0 STATEMENT OF COMPLIANCE

Style Selections Decking complies with the Codes listed in Section 1.1, for the properties stated in Section 1.2 and uses stated in Section 1.3, when installed as described in this report, including the Conditions of Use stated in Section 6.

3.0 DESCRIPTION

3.1 *Style Selections* deck boards are a co-extruded material composed of a low density polyethylene (LDPE) and wood fiber composite core with a polymer capstock on the top and side surfaces (semi-capped). *Style Selections* deck boards are produced in the following colors: Light Brown, Dark Brown, and Grey.

3.2 *Style Selections* deck boards have a fluted rectangular cross-section with nominal dimensions of 1" thick by 5.5" wide. The two flutes are 1-1/2" wide by 1/4" deep and run the length of the underside of the deck board. The deck boards are available with 0.20" wide by 0.28" deep grooves in the longitudinal edges to accept hidden fasteners. See Figure 1.

3.3 Walking Surface - *Style Selections* deck boards are finished with an embossed simulated wood-grain pattern.

4.0 PERFORMANCE CHARACTERISTICS

4.1 *Style Selections* deck boards are rated for a uniform live load of 100 lbs/ft.2 when installed on support framing spaced at 16".



4.2 Style Selections used as stair treads are rated for the cod-prescribed concentrated load equal to 300 lb when installed with a maximum 11" support span. Deck boards used as stair treads shall be installed in a minimum two-span condition.

4.3 Style Selections deck boards have a minimum wind uplift resistance rating of 212 lb/ft² when face-fastened to support framing spaced 16" on center. Style Selections deck boards have a minimum wind uplift resistance rating of 153 lb/ft² when installed using the Trex Hideaway® Universal Hidden Fastener System on support framing spaced 16" on center.

4.4 Style Selections deck boards have a flame spread index of less than 200 when tested in accordance with ASTM E 84.

4.5 Materials are deemed equivalent to preservative treated or naturally durable wood for resistance to weathering effects, attack from termites and fungus decay.

4.6 Structural performance has been demonstrated for a temperature range from -20°F to 125°F.

5.0 INSTALLATION

5.1 General:

Style Selections Decking must be installed in accordance with the manufacturer's published installation instructions, the applicable Code, and this Research Report. A copy of the manufacturer's instructions must be available on the jobsite during installation.

5.2 Face-fastening of the Style Selections shall be with #10 x 2-3/4" long deck screws. Two fasteners are required at every joist 3/4" from the side and at least 1" from the end of the board.

5.3 Style Selections shall be attached at each joist, regardless of joist spacing, with the Trex Hideaway® Universal Hidden Fastener System utilizing the #8 x 1.6" long stainless steel trim-head screws supplied with the clips. The stainless steel Trex Hideaway® Start Clips are attached to the ledger board at each joist location with one #8 x 1.6" screw per clip. The plastic Trex Hideaway® Connector Clips

are attached to each joist with one #8 x 1.6" screw. (See Figure 3). The outboard edge of the deck board is fastened to the rim Joist with one #8 x 1.6" screw at a 45° angle through the grooved edge at each joist location.

6.0 CONDITIONS OF USE

6.1 Installation must comply with this Research Report, the manufacturer's published installation instructions, and the applicable Code. In the event of a conflict, this report governs.

6.2 Deck boards placed at an angle other than 90 degrees to the supporting joist will require support framing at a reduced spacing such that the span of the deck board does not exceed 16".

6.3 The wind uplift resistance rating recognized in this report is based on attachment to treat Southern Pine framing (specific gravity, G=0.55). Installation on wood framing with a lesser specific gravity may result in a lower wind uplift rating.

6.4 Where required by the building official, engineering calculations and details shall be provided. The calculations shall verify that the anchorage complies with the building code for the type of framing and condition of the supporting construction.

6.5 Compatibility of the supporting construction materials with all metal fasteners are subject to approval by the code official.

6.6 The deck board has not been evaluated for use in areas subject to Formosan termite attack.

6.7 *Style Selections Decking* is manufactured by Trex Company Inc., under a quality control program with inspections by QAI Laboratories (IAS AA-635).

7.0 SUPPORTING EVIDENCE

7.1 Manufacturer's drawings and installation instructions.

7.2 Reports of testing in accordance with ICC-ES AC174, Acceptance Criteria for Deck Board Span Ratings and





Guardrail Systems (Guards and Handrails), revised December 2014.

7.3 The reports of testing and engineering analysis demonstrating compliance with the performance requirements of ASTM D 7032-08, Standard Specification for Establishing Performance Ratings for Wood-Plastic Composite Deck Boards and Guardrail Systems (Guards and Handrails).

7.4 Documentation of an Intertek approved quality control system for the manufacturing of products recognized in this report.

8.0 IDENTIFICATION

Style Selections Decking is identified with the manufacturer's name (Trex Company, Inc.) address and telephone number, the product name (*Style Selections Decking*), the statement "Complies with ASTM D7032". See CCRR-0218 at www.intertek.com/building/ccrr for uses and performance levels," the Intertek Mark as shown below, and the Code Compliance Research Report number (CCRR-0218).



9.0 FLORIDA BUILDING CODE

9.1 Scope of Evaluation:

Style Selections Decking were evaluated for compliance with the 2017 *Florida Building Code*.

9.2 Conclusion:

Style Selections Decking, described in Sections 2.0 through 7.0 of this Research Report, comply with the 2017 *Florida Building Code* subject to the following conditions:

- Use of the *Style Selections Decking* for compliance with the High-Velocity Hurricane Zone provisions of the 2017 *Florida Building Code* has not been evaluated and is outside the scope of this Research Report.
- Intertek is a quality assurance entity approved by the Florida Building Commission.

10.0 CODE COMPLIANCE RESEARCH REPORT USE

10.1 Approval of building products and/or materials can only be granted by a building official having legal authority in the specific jurisdiction where approval is sought.

10.2 Code Compliance Research Reports shall not be used in any manner that implies an endorsement of the product by Intertek.

10.3 Reference to the <https://bpdirectory.intertek.com> is recommended to ascertain the current version and status of this report.

This Code Compliance Research Report ("Report") is for the exclusive use of Intertek's Client and is provided pursuant to the agreement between Intertek and its Client. Intertek's responsibility and liability are limited to the terms and conditions of the agreement. Intertek assumes no liability to any party, other than to the Client in accordance with the agreement, for any loss, expense or damage occasioned by the use of this Report. Only the Client is authorized to permit copying or distribution of this Report and then only in its entirety, and the Client shall not use the Report in a misleading manner. Client further agrees and understands that reliance upon the Report is limited to the representations made therein. The Report is not an endorsement or recommendation for use of the subject and/or product described herein. This Report is not the Intertek Listing Report covering the subject product and utilized for Intertek Certification and this Report does not represent authorization for the use of any Intertek certification marks. Any use of the Intertek name or one of its marks for the sale or advertisement of the tested material, product or service must first be approved in writing by Intertek.



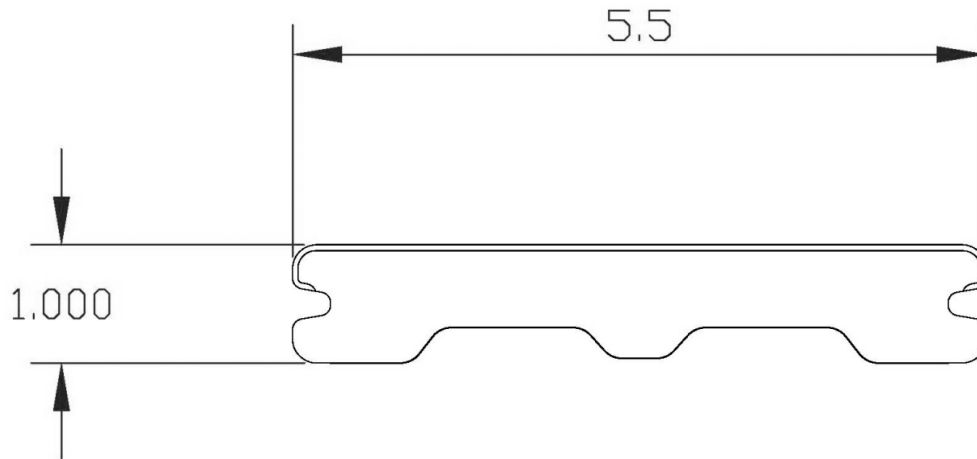


FIGURE 1 – STYLE SELECTIONS GROOVED DECK BOARD PROFILE

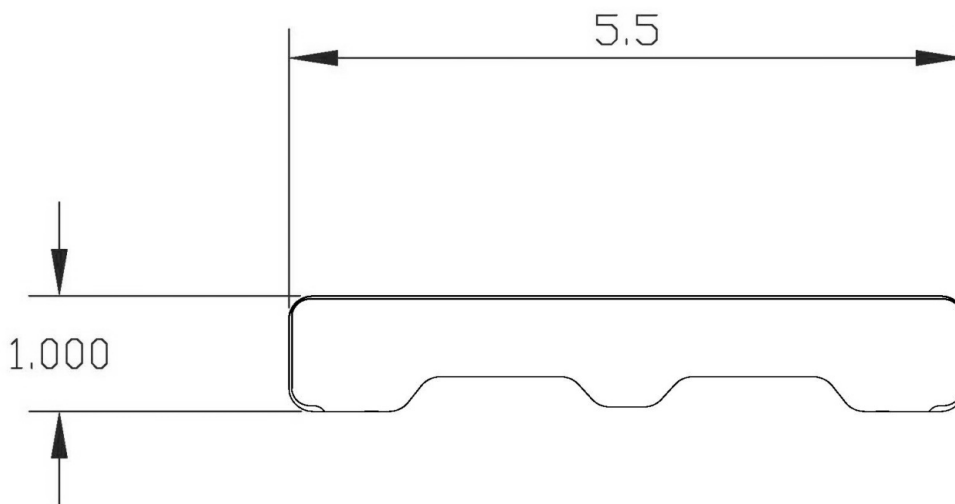


FIGURE 2: STYLE SELECTIONS SOLID DECK BOARD PROFILE

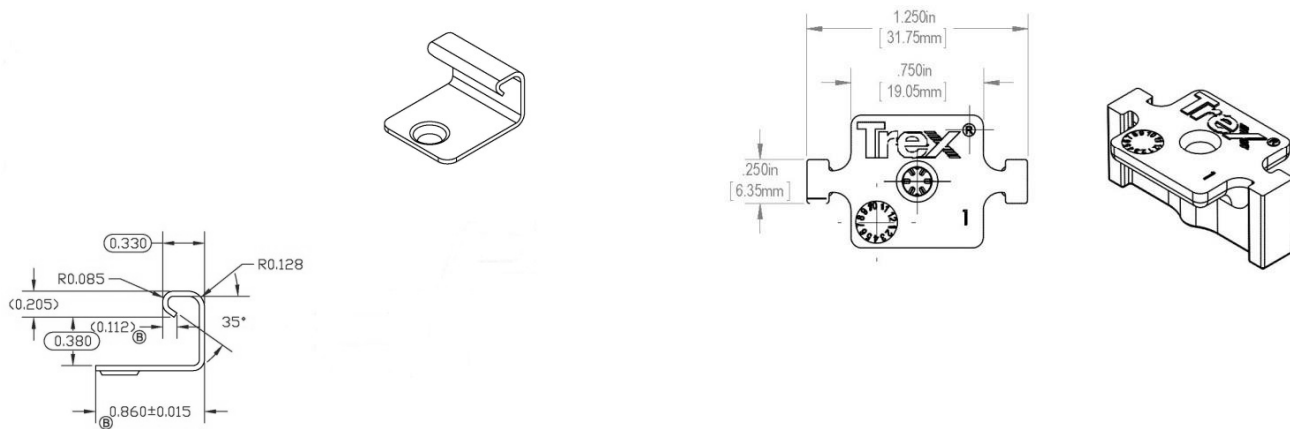


FIGURE 3: TREX HIDEAWAY® UNIVERSAL FASTENER SYSTEM

(Left: Start Clip; Right: Connector Clip)