

Issue Date: 07-24-2007
Revision Date: 03-27-2018
Renewal Date: 03-29-2019

DIVISION: 08 00 00 - OPENINGS
Section: 08 62 00 - Skylights

REPORT HOLDER:

Sunoptics Prismatic Skylights, Inc.
6201 27th Street
Sacramento, CA 95822
(916) 395-4700

REPORT SUBJECT:

Sunoptics Prismatic Skylights

Models:

*5060 Sunoptics "Double Hip" (Frame Model #800MD),
Fixed Assembly*

*50100 Sunoptics "Signature" (Frame Model #800MD),
Fixed Assembly*

1.0 SCOPE OF EVALUATION

1.1 This Research Report addresses compliance with the following Codes:

- 2015 and 2012 *International Building Code*® (IBC)
- 2015 and 2012 *International Residential Code*® (IRC)

1.2 *Sunoptics Prismatic Skylights* have been evaluated for the following properties (see Table 1):

- Structural Performance
- Durability
- Burning

1.3 *Sunoptics Prismatic Skylights* have been evaluated for the following uses (see Table 1):

- *Sunoptics Prismatic Skylight* models recognized in this report are plastic glazed unit skylights complying with IBC Sections 2405 and 2610 and IRC Sections R308.6.

2.0 STATEMENT OF COMPLIANCE

Sunoptics Prismatic Skylights comply with the Codes listed in Section 1.1, for the properties stated in Section 1.2 and uses

stated in Section 1.3, when installed as described in this report, including the Conditions of Use stated in Section 6.

3.0 DESCRIPTION

3.1 Each of these models utilize framing members of identical cross section and identical mounting configuration. Only the perimeter lengths vary to make frames of the required dimensions. The numbers of fasteners vary with skylight size and are shown in Table 1.

3.2 The single glazed *Signature* and *Double Hip* skylight forms use prismatic lenses of Class CC2 extruded acrylic plastic. Glazing materials and their associated thicknesses are as outlined in Table 1. An aluminum curb frame is mounted to a wood curbing, using No. 12 X 1-½ inch long hex washer head screws to form the base of the skylight assembly. Airseal foam neoprene gasket tape is utilized between the horizontal mating surfaces of the wood curb and the aluminum curb frame. The plastic glazing is mounted on top of the curb frame using GE SCS1000 Silicone or Manus-Bond 75-AM sealant. An aluminum thermal break frame is assembled over the glazing and engages the lower aluminum curb frame in a "snap-on" arrangement. No. 8 x ½ inch wafer modified truss head screws are installed to secure the aluminum pieces. Additional details of the skylight assemblies are shown in Figures 1 and 2. Further details of materials utilized in the assembly are as follows:

3.2.1 Glazing Materials: Single glazed prismatic and smooth thermoforming raw acrylic material is manufactured by Arkema and Plaskolite and are recognized in ICC-ES Evaluation Reports, ESR-1653 and ESR-2590 respectively.

3.2.2 The 50100 "Signature" models utilize a glazing manufactured from Arkema DR101 Acrylic extruded to a thickness of 0.160 inch. See Table 1.

3.2.3 The 5060 "Double Hip" models utilize a glazing manufactured from Arkema MI7 Acrylic or Plaskolite



Duraplex 50% Modified Impact extruded to a thickness of 0.230 inch. See Table 1.

3.3 Aluminum Components: The curb frame and the thermal break curb are manufactured from extruded 6063-T6 tempered aluminum.

3.4 Gasketing and Sealants:

3.4.1 Airseal foam neoprene gasket tape is utilized between the horizontal mating surfaces of the wood curb and the aluminum curb frame.

3.4.2 Sealing between the glazing domes and the aluminum framing is accomplished with GE SCS1000 Silicone or Manus-Bond 75-AM glazing sealant.

3.5 Fasteners: Fasteners utilized in the skylight assemblies are manufactured by PrimeSource Building Products and are recognized in ICC-ES Evaluation Report, ESR-1408. See Table 1 for descriptions and quantities.

3.5.1 The aluminum curb frame is fastened to the wood curbing utilizing zinc plated No. 12 X 1-1/2 inch self drilling hex washer head screws.

3.5.2 The aluminum thermal break curb is fastened to the curb frame using zinc plated No. 8 X 1/2 inch wafer modified truss head screws

4.0 PERFORMANCE CHARACTERISTICS

4.1 For the models recognized in this report, the minimum allowable positive and negative (wind uplift) loads are as indicated in Table 2.

4.2 Each of the models recognized by this report were tested and determined to be acceptable to the uniform load, water resistance and air infiltration acceptance criteria described in Section 3.0 of ICC-ES AC16, Acceptance Criteria for Plastic Glazed Skylights, revised April 2017.

5.0 INSTALLATION

Sunoptics Prismatic Skylights must be installed in accordance with the manufacturer's published installation instructions (dated 2011, Revision 02), the applicable Code, and this Research Report. A copy of the manufacturer's

instructions must be available on the jobsite during installation.

5.1 Skylights shall be installed in accordance with IBC Sections 2405 and 2610 and IRC Section R308.6.

5.2 Skylights shall be mounted on a wood curb that raises the plastic glazing at least 4 inches above the plane of the roof.

5.3 Outside curb dimensions are indicated in Table 1. The design, attachment, flashing and placement of the wood curb to the roof deck is outside the scope of this report. Skylights shall be attached to the curb utilizing fasteners described in this report. The fastener manufacturer, type, quantity and location are outlined in Table 1.

6.0 CONDITIONS OF USE

6.1 Installation must comply with this Research Report, the manufacturer's published installation instructions, and the applicable Code. In the event of a conflict, this report governs.

6.2 Design loads do not exceed loads indicated in Table 2 of this report.

6.3 Wood curbs must have a minimum specific gravity of 0.43 and a minimum thickness of 1-1/2 inch and sufficient height to mount the plastic glazing higher than 4 inches above the plane of the roof.

6.4 Fasteners are installed in accordance with manufacturer instructions and this report.

6.5 The status of this report is contingent on the validity of the ICC-ES reports identified herein. The revocation or expiration of any included ICC-ES reports will invalidate this report.

6.6 Where required by the building official, engineering calculations and details shall be provided. The calculations shall verify that the anchorage complies with the building code for the type of framing and condition of the supporting construction.





6.7 *Sunoptics Prismatic Skylights* are manufactured under a quality control program with inspections by Intertek Testing Services NA, Inc.

the Intertek Mark as shown below, and the Code Compliance Research Report number (CCRR-0113).



7.0 SUPPORTING EVIDENCE

7.1 Manufacturer's drawings and installation instructions (dated 2011, Revision 02). Testing data demonstrating compliance with AAMA/WDMA/CSA101/I.S.2/A440-11, "Standard/Specification for Windows, Doors, and Unit Skylights", American Architectural Manufacturers Association, Window and Door Manufacturers Association, and Canadian Standards Association.

7.2 Reports of testing demonstrating compliance with ICC-ES AC16, Acceptance Criteria for Plastic Glazed Skylights, revised April 2017.

7.3 Documentation of an Intertek approved quality control system for the manufacturing of products recognized in this report.

8.0 IDENTIFICATION

The *Sunoptics Prismatic Skylights* is/are identified with the manufacturer's name (Sunoptics Prismatic Skylights, Inc.), address and telephone number, the product name (*Sunoptics Prismatic Skylights*), [other applicable marking requirements],

9.0 OTHER CODES

This section is not applicable.

10.0 CODE COMPLIANCE RESEARCH REPORT USE

10.1 Approval of building products and/or materials can only be granted by a building official having legal authority in the specific jurisdiction where approval is sought.

10.2 Code Compliance Research Reports shall not be used in any manner that implies an endorsement of the product by Intertek.

10.3 Reference to the <https://bpdirectory.intertek.com> is recommended to ascertain the current version and status of this report.

This Code Compliance Research Report ("Report") is for the exclusive use of Intertek's Client and is provided pursuant to the agreement between Intertek and its Client. Intertek's responsibility and liability are limited to the terms and conditions of the agreement. Intertek assumes no liability to any party, other than to the Client in accordance with the agreement, for any loss, expense or damage occasioned by the use of this Report. Only the Client is authorized to permit copying or distribution of this Report and then only in its entirety, and the Client shall not use the Report in a misleading manner. Client further agrees and understands that reliance upon the Report is limited to the representations made therein. The Report is not an endorsement or recommendation for use of the subject and/or product described herein. This Report is not the Intertek Listing Report covering the subject product and utilized for Intertek Certification and this Report does not represent authorization for the use of any Intertek certification marks. Any use of the Intertek name or one of its marks for the sale or advertisement of the tested material, product or service must first be approved in writing by Intertek.





TABLE 1 - SKYLIGHT MODELS AND GENERAL DESCRIPTION

Skylight Description					Glazing Description		Curb and Fastener Description			
Model Series	Frame Model	Size	Skylight Shape	Dome Rise (in)	Glazing Material	Glazing Thickness (in)	Nominal Outside Curb Dims.	Fastener Description (Curb Frame to Curb)	Number of Fasteners	Fastener Spacing (Measured on outside of aluminum curb frame)
Sunoptics Double Hip	800MD	5060 5ftx6ft	Double Hip	11-3/4	Arkema MI-7 Acrylic (ESR-1653) - or - Duraplex 50% Modified Impact Acrylic (ESR-2590)	0.230	63" X 75"	Zinc plated No. 12 X 1 1/2 inch self drilling hex washer head screws*	16	7 3/8" from each corner and equally spaced between for a total of 3 fasteners per 5 ft side and 5 fasteners per 6 ft side (16 fasteners total)
Sunoptics Signature	800MD	50100 5ftx10ft	Signature	16	Arkema DR101 Acrylic (ESR-1653)	0.160	63"X 123"	Zinc plated No. 12 X 1 1/2 inch self drilling hex washer head screws*	26	8" from each corner and equally spaced between for a total of 3 fasteners per 5 ft side and 10 fasteners per 10 ft side (26 fasteners total)

* Fasteners Manufactured by Primesource Building Products Ref. ICC-ES Report # ESR-1408

TABLE 2 - SKYLIGHT MODELS AND ALLOWABLE LOADINGS

Model Series	Frame Model	Size	Skylight Shape	Allowable Live Load (psf)	Allowable Wind Uplift (psf)
Sunoptics Double Hip	800MD	5060	Double Hip	30	30
Sunoptics Signature	800MD	50100	Signature	30	30



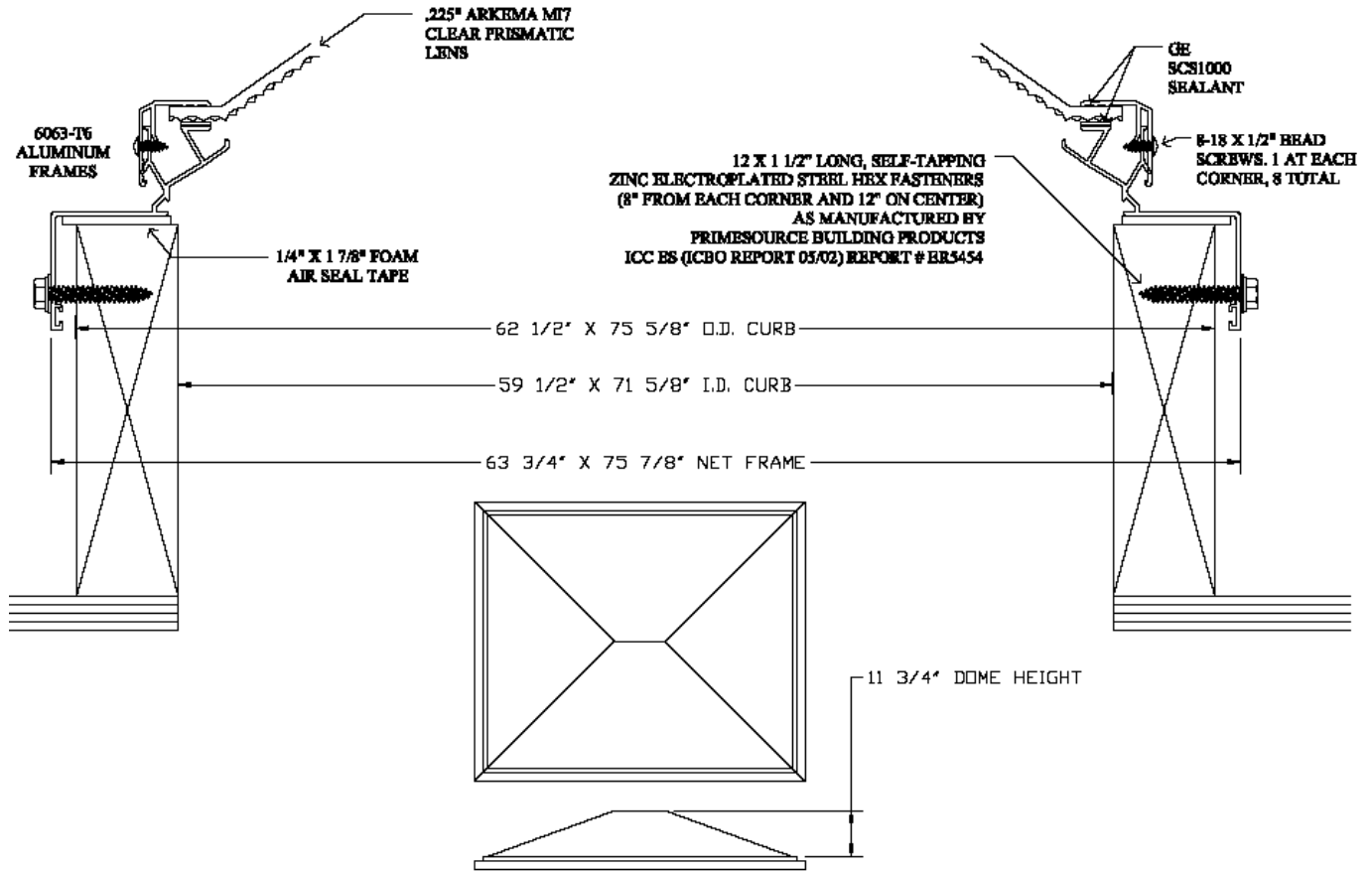


FIGURE 1 – 5060 MODEL 800MD DOUBLE HIP

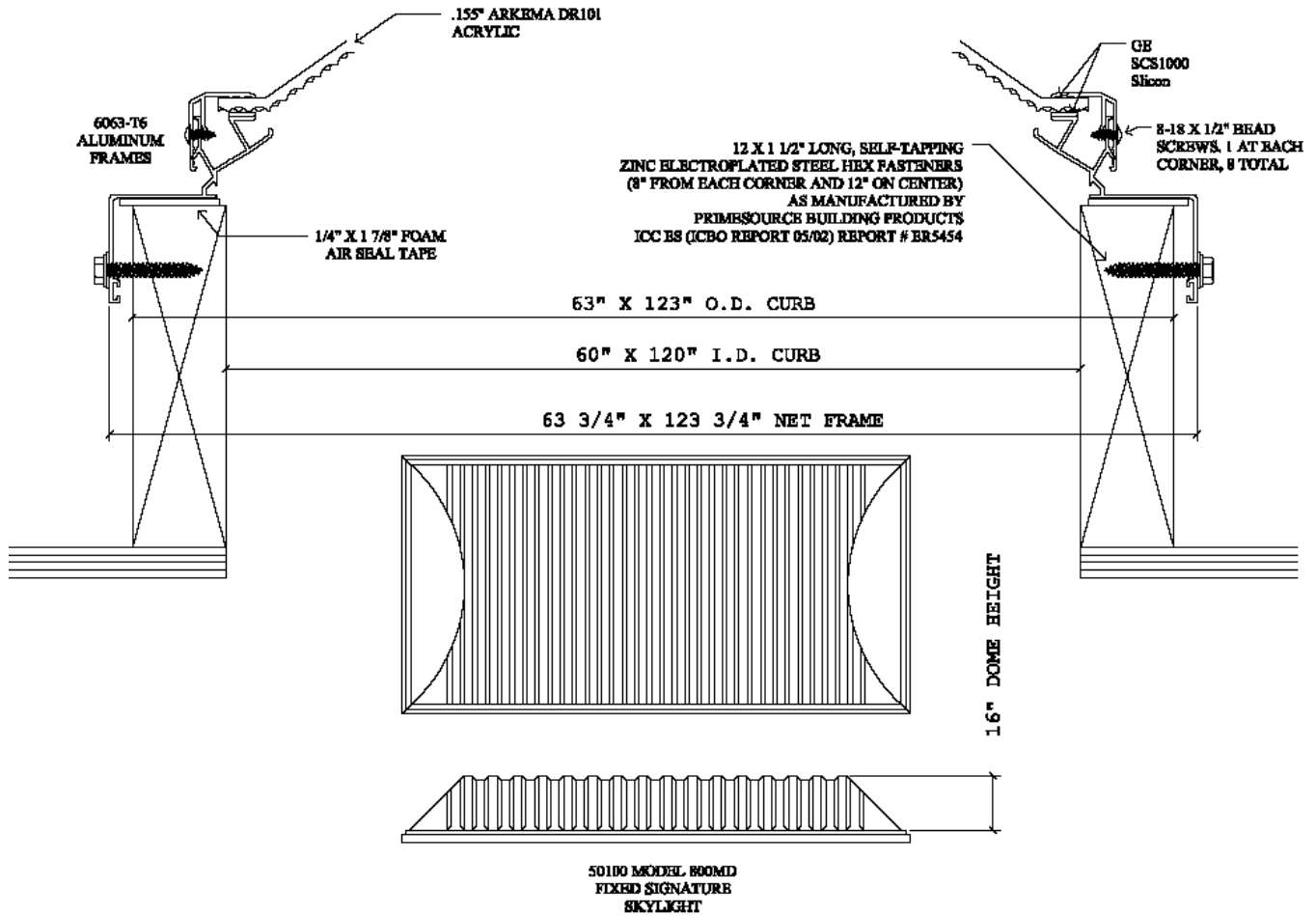


FIGURE 2 – 50100 SIGNATURE, 800MD